

# Super Swayless® Rail Mounted Installation Procedure

for use with Steadi-Flex® compensation cables



## IMPORTANT: READ THIS FIRST

**FAILURE TO FOLLOW DRAKA EHC INSTALLATION PROCEDURES WILL INVALIDATE ANY WARRANTY AND COULD ENDANGER PUBLIC SAFETY.**

The Super Swayless Rail Mounting Bracket (Part # SSL-RMB-72) is mounted to the counterweight (CWT) guide rails to support two Super SwayLess dampening devices for elevator cars that have two compensating cables per car. The mounting bracket can also be modified to support a single Super SwayLess device if necessary.

The mounting bracket allows for an 11 1/2" x 19" (290 mm x 480 mm) space for a single centered buffer. It is also fully adjustable for off-plane cables. The mounting bracket needs only a space of 3.25" (83 mm) between the wall and the CWT guide rails, and can be cut to size for CWT guide rails 68" (1725 mm) apart or less.

**Step 1:** Measure three feet (915 mm) above the bottom of the compensating cable loop and mark a spot on the back of each CWT guide rail.

**Step 2:** Attach the short end rail to the back of the CWT guide rail using two beam clamps, two 1/2 x 2" bolts and two spring nuts. Repeat steps 1 and 2 for the other CWT guide rail.

**Step 3:** Attach the two long rails to the bottom of the end rails using the 1/2 x 2 1/2" bolts and top spring nuts, trapping the compensating cables in between the two long rails.

**Step 4:** Once the long rails are secure, cut off any excess length which extend past the end rails. **IMPORTANT NOTE:** Protruding lengths of rail can become pit obstructions that could cause compensating cable snags.

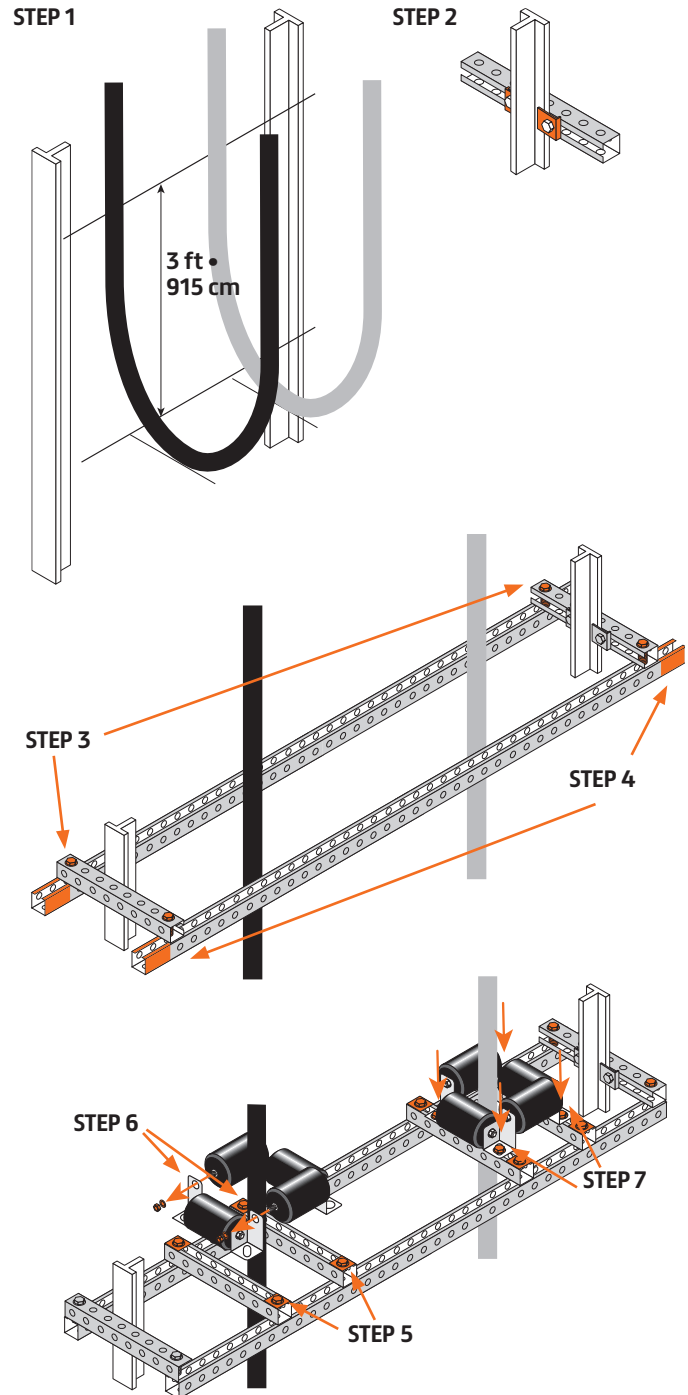
**Step 5:** Bracket the compensating cable(s) with the short rails leaving enough space to place the Super Swayless devices on them. Loosely attach the four remaining short rails to the long rails using no-twist-square washers, 1/2 x 2" bolts, and top spring nuts.

**Step 6:** Place the cable(s) in the Super Swayless device(s) by removing one roller to allow access. Replace the roller.

**Step 7:** Attach the Super Swayless damping device(s) to the short rails using 1/2 x 1" bolts and top spring nuts.

**Step 8:** Adjust the Super Swayless devices so that the stationary cable is barely touching the inner roller of each Super Swayless device and centered between the left and right rollers. In motion, the cable will move to the center of the Super Swayless devices. Tighten the bolts holding the short rails and the Super Swayless devices.

Verify that the rollers are above the cable loop curvature and below the compressed buffer height. Adjust the height of the mounted assembly as necessary.



## Draka EHC

A Brand of Prysmian Group

Draka EHC  
2151 N. Church Street | Rocky Mount, NC 27804  
+1-877-DRAKA EP (877-372-5237)  
[www.DrakaEHC.com](http://www.DrakaEHC.com) | [www.prysmiangroup.com](http://www.prysmiangroup.com)