

# Super Swayless® Floor Mounted Installation Procedure

for use with WF-RDD4 Damping Devices and SSL-FMB-48 Mounting Brackets



## IMPORTANT: READ THIS FIRST

FAILURE TO FOLLOW DRAKA EHC INSTALLATION PROCEDURES WILL INVALIDATE ANY WARRANTY AND COULD ENDANGER PUBLIC SAFETY.

## POSITIONING THE DAMPING DEVICES FOR STEADI-FLEX INSTALLATIONS

AT REST, STEADI-FLEX CABLES SHOULD LIGHTLY CONTACT THE ROLLER ON THE INSIDE OF THE LOOP. WHEN THE CAR MOVES, THE CABLE WILL MOVE TO THE CENTER OF THE DAMPING DEVICE. POSITION THE BRACKET ACCORDINGLY. SEE THE *COMPENSATION CABLE INSTALLATION GUIDE* FOR COMPLETE INSTRUCTIONS.

## BEFORE ASSEMBLY

Have work gloves, one  $\frac{3}{4}$  inch socket wrench, a hammer and a rotary hammer drill with a  $\frac{1}{2}$  inch bit capable of drilling a  $2\frac{3}{4}$  inch deep hole. The compensation cable should already be installed.

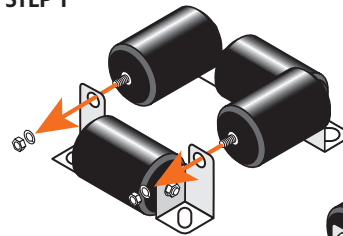
**Step 1:** Remove one side of the Super Swayless by loosening the nuts and washers of the corner brackets as shown.

**Step 2:** Place the cable inside the device. Re-attach the corner brackets - make sure that the axles are all the way through them. Replace and tighten all the washers and nuts.

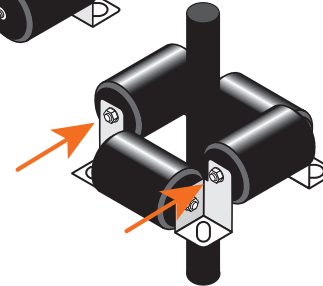
**Step 3:** Assemble the two legs as shown. Place the four channel nuts inside the channel. Use two of them with the bolts to attach the support. Use the other two channel nuts and bolts to attach the base.

**Step 4:** Attach the Super Swayless to the leg assembly through the slots in the corner brackets using  $\frac{1}{2}$ " x 1" bolts and nuts. Make sure that there are isolation pads between each corner bracket and the support. (To better show the installation, the cable is not shown in the diagram.)

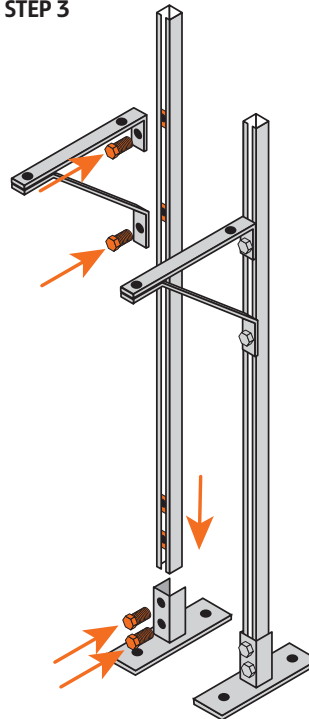
STEP 1



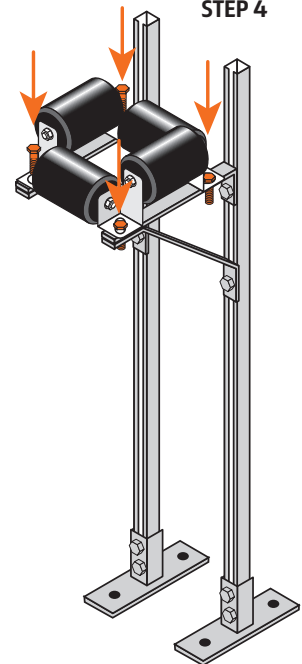
STEP 2



STEP 3



STEP 4



## Draka EHC

A Brand of Prysmian Group

Draka EHC  
2151 N. Church Street | Rocky Mount, NC 27804  
+1-877-DRAKA EP (877-372-5237)  
[www.DrakaEHC.com](http://www.DrakaEHC.com) | [www.prysmiangroup.com](http://www.prysmiangroup.com)