

# Swayless® Rail Mounting Bracket Installation

## FOR WF-SRD DAMPING DEVICES AND SL-RMB-48 AND SL-RMB-2 KITS



### BEFORE ASSEMBLY

Have work gloves, one  $\frac{3}{4}$  inch socket wrench, one 13 mm socket wrench and a hacksaw. The compensation cable should already be installed.

### INSTRUCTIONS

The Swayless Rail Mounting Brackets are mounted to the counterweight (CWT) guide rails that support two Swayless damping devices.

**Step 1:** Measure three feet (915 mm) above the bottom of the compensating cable loop and mark a spot on the back of each CWT guide rail. Verify the cables are vertical as they pass through the Swayless device. Raise the damping devices if they are within the cable's loop curvature.

**Step 2:** Attach one 12 inch end rail to the back of the CWT guide rail using two beam clamps, two  $\frac{1}{2}$  x 2" bolts and two spring nuts. Repeat steps 1 and 2 for the other CWT guide rail.

**Step 3:** Slide four channel nuts into the long rail. Attach the long rail to the end rails with the angle brackets and the four  $1\frac{1}{2}$  inch bolts.

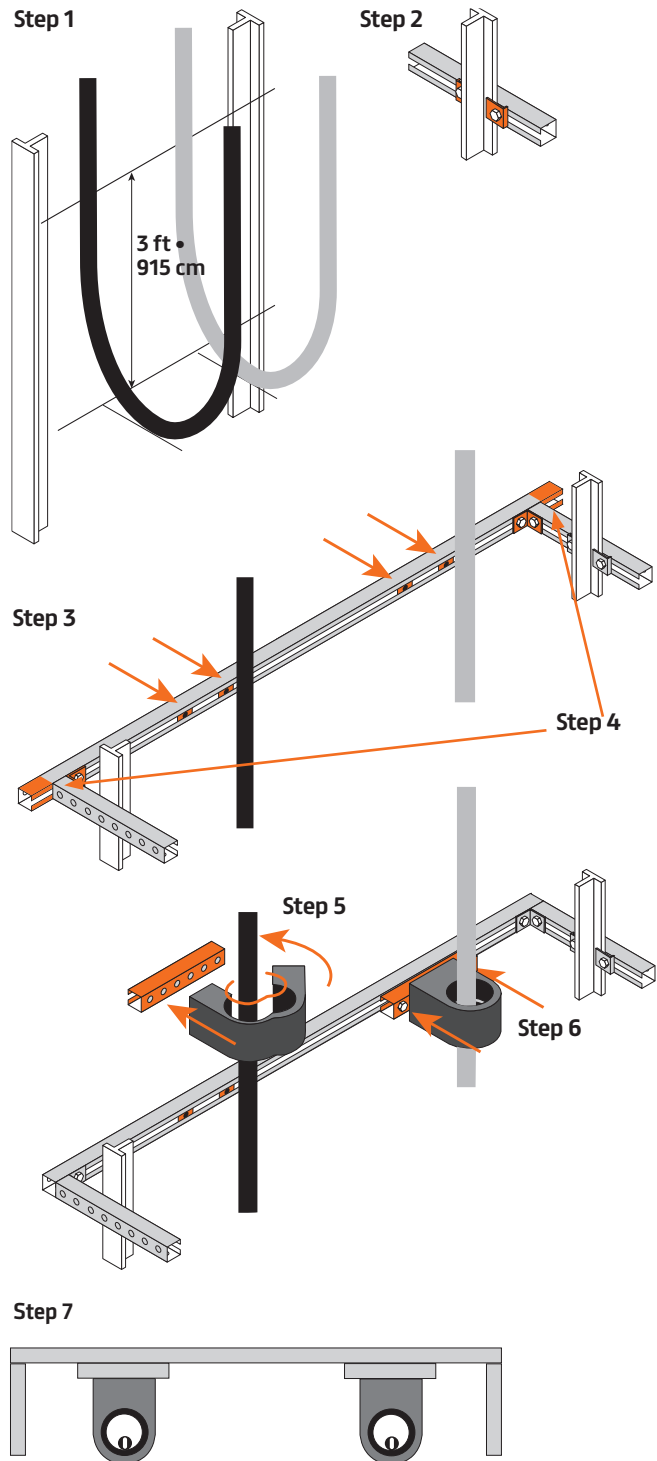
**Step 4:** Once the long rail is secure, cut off any excess length which extend past the end rails. **IMPORTANT NOTE:** Protruding lengths of rail can become obstructions that could cause compensating cable snags.

**Step 5:** Secure the Swayless device around the cable by opening the Swayless body and removing and opening the hinged brass ring insert. Place the cable in the ring and close it. Then place it in the grooves of the Swayless body and tighten the 3 inch bolt. Fasten the closed Swayless to the 8 inch channel using the Swayless's embedded end bolts.

**Step 6:** With the Swayless secure around the cable, attach the 8 inch channel/Swayless assembly to the long strut using two  $2\frac{1}{2}$  inch bolts, two flat washers and two channel nuts. Repeat this with the other Swayless device.

**Step 7:** Adjust the Swayless devices so that the cable is barely touching the inside front center of the Swayless device. In motion, the cable will move to the center of the Swayless device.

Tighten the bolts holding the short rails and the Swayless devices.



## Draka EHC

A Brand of Prysmian Group

Draka EHC  
2151 N. Church Street | Rocky Mount, NC 27804  
+1-877-DRAKA EP (877-372-5237)  
[www.DrakaEHC.com](http://www.DrakaEHC.com) | [www.prysmiangroup.com](http://www.prysmiangroup.com)