

# LED UV-C Handrail Sterilization Module

## Technical Information

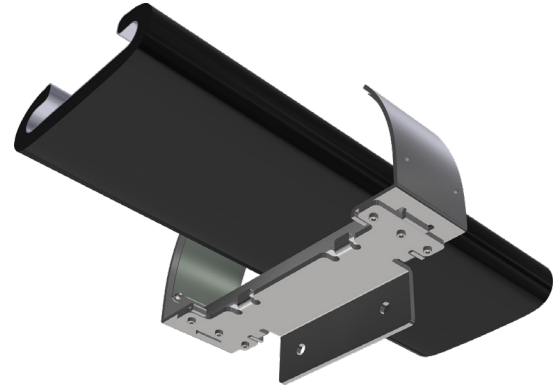


### Gen3

Model #: MD1002-1

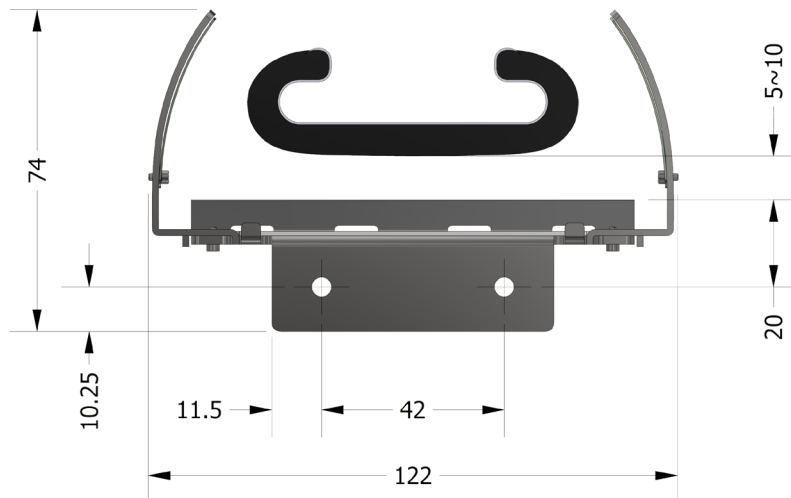
Description: UV-C Handrail Module

- Input Voltage 12VDC +/- 10%
- Input Current 400 mA (Maximum)
- Lighting Color (Peak Wavelength) : 278nm
- UV-C LED Light Bar Current: 150mA DC +/- 3%
- UV-C LED Light Bar Optical Power: 46mW +/- 10%
- UV-C LED Peak Wavelength: 275nm +/- 3nm



## Dimensions (±0.50mm)

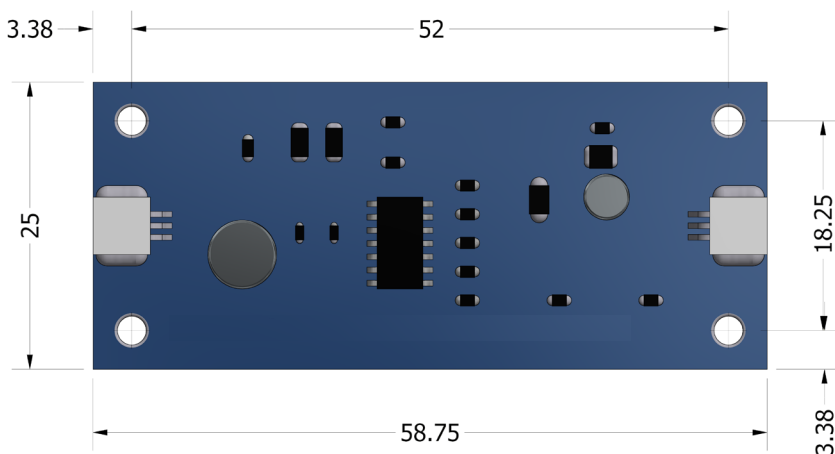
### Module Assembly\*



Distance between handrail surface and source reflector is determined by handrail size.



### PCB Driver\*



Provided Wire Lengths:

Power IN (12VDC Supply): 100mm  
Power OUT (Driver > Module): 75mm

\*Illustrations are not to scale

# Draka EHC

A Brand of Prysmian Group

Draka EHC  
1287 Boundary Road, Oshawa, ON Canada L1J 6Z7  
Office +1-905-432-3200 | Customer Care +1-905-432-3124  
[www.DrakaEHC.com](http://www.DrakaEHC.com) | [www.prysmiangroup.com](http://www.prysmiangroup.com)